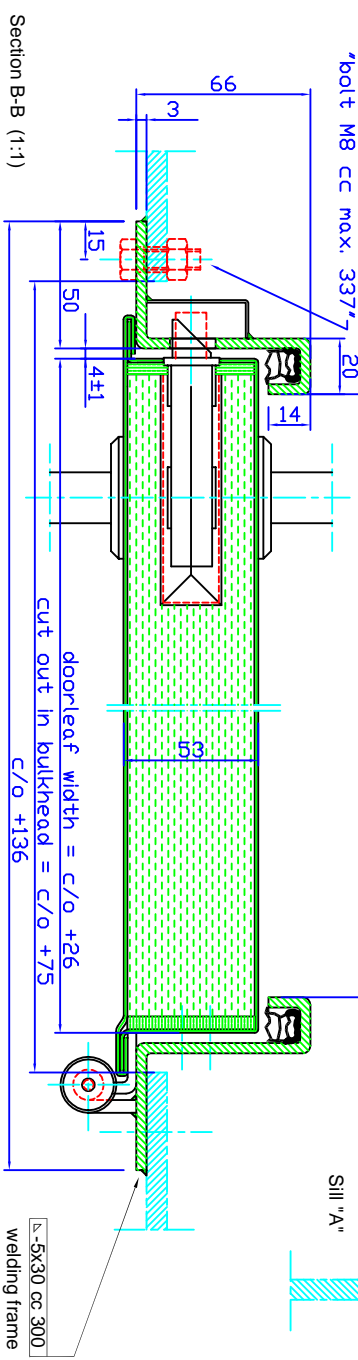
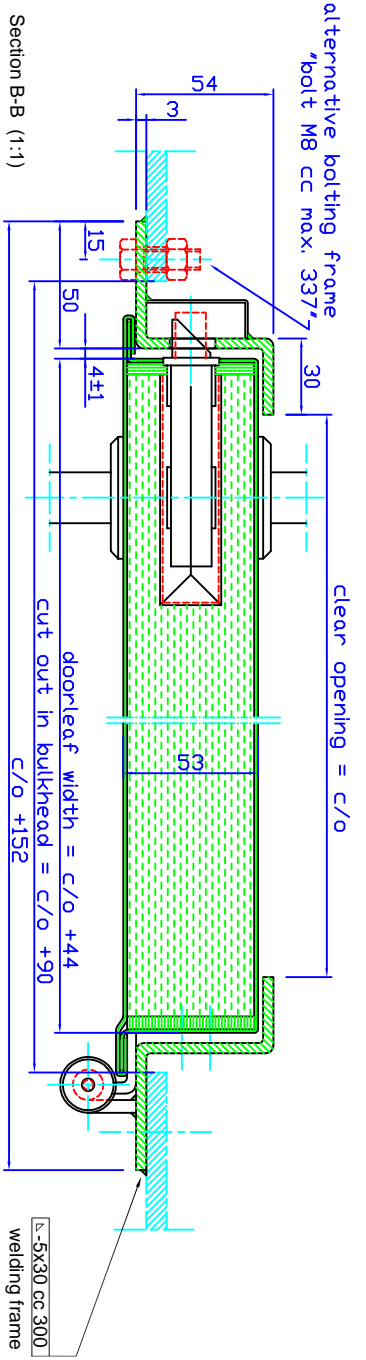


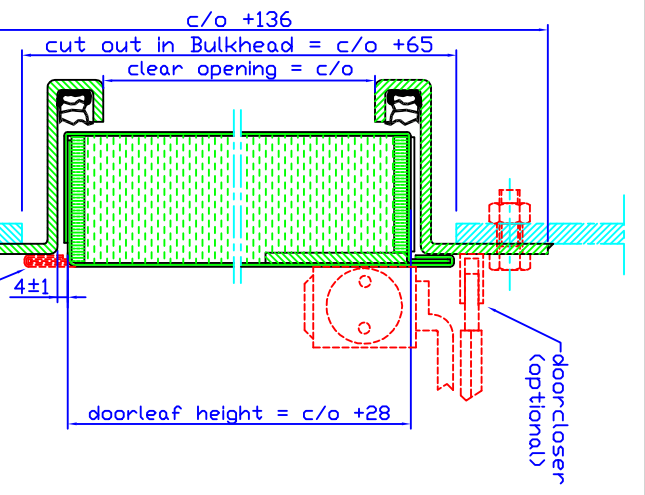
alternative bolting frame
"bolt M8 cc max: 3377"



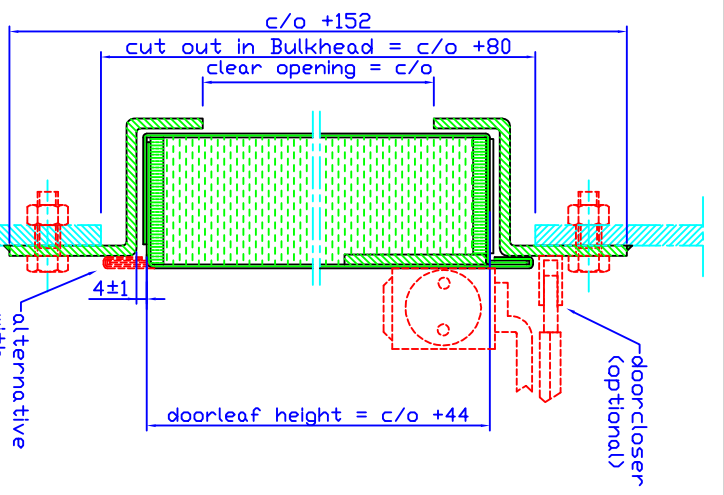
Section B-B (1:1)



Section B-B (1:1)



Section A-A (1:1)



Section A-A (1:1)

Options	
doorcloser	clamping frame
window A30	panic bar
window A60	lever dogs
hose port	recessed handles
frame stainless steel	.
doorleaf stainless steel	.
doorleaf pvc-coated steel	.
sealing	.
concealed doorcloser	.

drawn DIN right opening (DIN left mirror inverted)

REVISION	DATE	DESCRIPTION	SCALE	DRAWING SIZE
customer drawing		PODSZUCK 24148 KIEL KLAUSBOER WEG 163	1:1	A4
LEFT HAND	RIGHT HAND	A30/A60 POK LMD-H1	SCALE	DATE
PULL SIDE	PULL SIDE	A30/A60 HINGED SINGLE	1:1 (1:10)	17.08.06
GENERAL DRAWING		A60 LMD-H1 DWG	W	